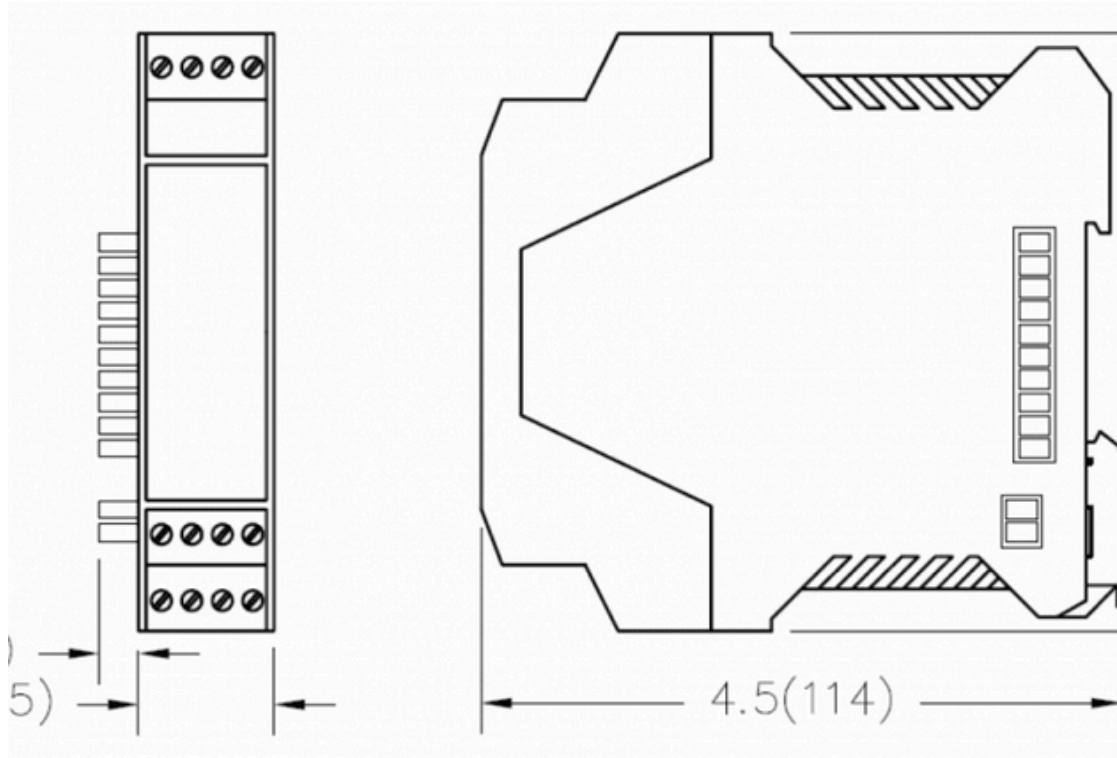


2D09 1300nm multi-mode diagnostic output



Overview

Optical interface modules (OIM) are connected to electrical interface modules (EIM) to transmit information between drop locations. OIMs can be used in various network topologies to create point to point, daisy chain, self-healing ring, and single or dual-channel network topologies. A maximum combination of five optical or electrical modules may be connected together in one modem stack. Intermodule communications and operating power are achieved through the integrated module backplane connections. The basic modem configuration consists of a power supply module (PSM), EIM and an OIM.

Technical specification

Feature	Description
Optical wavelength	1300nm
Optical mode	Multi-mode
Communications data rate	9.6K to 12M band
Optical port connection	ST compatible
Optical dynamic range	12db into 62.5/125µm, 9dB into 50/125µm
Diagnostic output	4-20mA
Accessory	Power supply 2A06, 2A16, 2A08, 2A18
Instruction manual	Shipped with product or available on request

United States of America

707 Jeffrey Way
Round Rock
Texas 78665-2408
USA

Tel: +1 512-434-2800

United Kingdom

Innovation House
Lancaster Road
Ferndown Industrial Estate
Wimborne
Dorset BH21 7SQ
UK

Tel: +44 (0) 1202 850 450

For more information

Web: cwic.curtisswright.com

Email: sales@nspi.curtisswright.com

About Curtiss-Wright

Curtiss-Wright Round Rock and Wimborne have worked with nuclear and industrial customers for over 60 years. We support customers across the world from facilities located in the US and UK. Our solutions are embedded in strategic national infrastructure and our people are active partners in customer programs that are focused on delivering advanced future nuclear and industrial capabilities.

Curtiss-Wright Corporation (NYSE: CW) is a global integrated business that provides highly engineered products, solutions and services mainly to Aerospace & Defense markets, as well as critical technologies in demanding commercial power, process and industrial markets. We leverage a workforce of approximately 8,600 highly skilled employees who develop, design and build what we believe are the best engineered solutions to the markets we serve. Building on the heritage of Glenn Curtiss and the Wright brothers, Curtiss-Wright has a long tradition of providing innovative solutions through trusted customer relationships.