

# Explosion proof aluminum connection head code 7

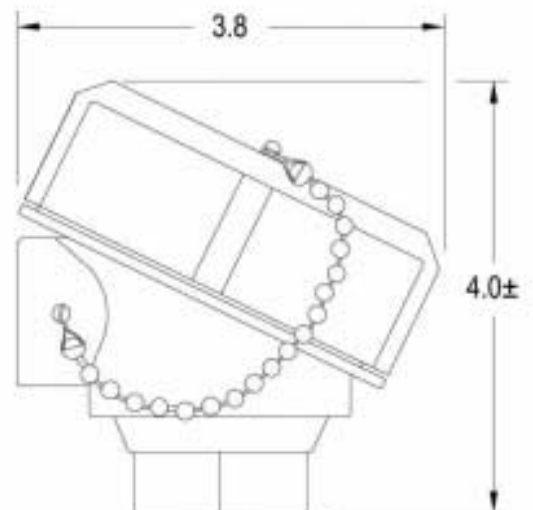


## Overview

Meets NEMA 4, 4X and FM/CSA Certification: Class I, Div. I, Groups B, C & D and Class II, Div. I, Groups E, F and G requirements, corrosion resistant coating is standard.

Standard style instrument connection head suitable for temperature sensor assemblies.

Connection head supplied with terminal block unless a temperature transmitter is ordered.



## Technical specification

Feature	Description
Extension style	Standard none, with optional nipple, nipple/union, nipple/union/nipple, union/nipple
Extension length	Standard none, with optional 1 to 6 inches or custom lengths
Conduit connection	Standard 3/4" NPT, with optional 1/2" NPT
Terminal block (accessory)	Phenolic or ceramic

Code	Description
<b>7</b>	<b>Explosion-Proof Aluminum</b>
	Code      General Extension Style and Material
A	None. For sensors with threaded instrument connection head suitable for temperature sensor assemblies.
F	Nipple extension - Series 300 stainless steel (F=00 for close nipple).
G	Nipple/union Series 300 stainless steel 3" minimum.
H	Nipple/union/nipple Series 300 stainless steel 3" minimum.
J	Union/nipple - Series 300 stainless steel 3" minimum.
	Code      Extension Length ("B" Dimension)
00	0" (close nipple)
10	1" (nipple extension only)
20	2" (nipple extension only)
30	3" (minimum with union)
40	4"
50	5"
60	6"
Other	Specify length
	Code      Code Head Connection (Instrument x Conduit)
A	1/2" NPT x 1/2" NPT
D	1/2" NPT x 3/4" NPT - <b>Industry Standard.</b>
	Gasket Type
1	Weatherproof - 200°F maximum - <b>Industry Standard.</b>

7	A	00	D	1

Sample Model Number  
Your Model Number

## United States of America

707 Jeffrey Way  
Round Rock  
Texas 78665-2408  
USA

Tel: +1 512-434-2800

## United Kingdom

Innovation House  
Lancaster Road  
Ferndown Industrial Estate  
Wimborne  
Dorset BH21 7SQ  
UK

Tel: +44 (0) 1202 850 450

For more information

Web: [cwic.curtisswright.com](http://cwic.curtisswright.com)

Email: [sales@nspi.curtisswright.com](mailto:sales@nspi.curtisswright.com)

## About Curtiss-Wright

Curtiss-Wright Round Rock and Wimborne have worked with nuclear and industrial customers for over 60 years. We support customers across the world from facilities located in the US and UK. Our solutions are embedded in strategic national infrastructure and our people are active partners in customer programs that are focused on delivering advanced future nuclear and industrial capabilities.

Curtiss-Wright Corporation (NYSE: CW) is a global integrated business that provides highly engineered products, solutions and services mainly to Aerospace & Defense markets, as well as critical technologies in demanding commercial power, process and industrial markets. We leverage a workforce of approximately 8,600 highly skilled employees who develop, design and build what we believe are the best engineered solutions to the markets we serve. Building on the heritage of Glenn Curtiss and the Wright brothers, Curtiss-Wright has a long tradition of providing innovative solutions through trusted customer relationships.